

HOT WATER STORAGE TANK

**ASME CODE
175 GALLONS**

APPLICATION

The tank can be installed whenever the demand utilizes stored water from 175 gallons or more. Installed individually or as several tanks in parallel, this tank can provide 80% draw without an appreciable temperature decrease in single temperature application.

FEATURES

- 175 - Gallon storage
- ASME constructed
- 150 PSI maximum working pressure
- Two magnesium anodes
- Meets ASHRAE 90.1
- Los Angeles city approval application no. M-880057
- Insulated and jacketed
- R-16 value insulation
- Foam insulation
- Handhole
- Fits through 36" doorway
- Labels for each opening
- Large 1" drain port
- Approx. Shipping Weight: 596 lbs.



CONSTRUCTION CODE

- Storage Tank - The tank is lined with a double coating of a high-temperature glass formula. It is built for long life under any water conditions. Two magnesium anode rods are factory installed.
- R-Foam Insulation - Rigid polyurethane foam insulation for improved economy and fuel savings. The insulation is R-16 value and complies to ASHRAE 90.1.
- Steel Jacket - Complete unit is enclosed in baked enamel steel jacket. With minimum care, the jacket will remain attractive and colorful for years.
- Tank Openings - Circulating tank connections and hot water outlets are 2-1/2" NPT. Other openings are for T and P valve, tankstat, thermometer and drain port. (Drain valve not provided.)
- Handhole - Equipped with 3" x 4-1/8" handhole for easy cleanout and inspection.
- Labels - Openings are individually labeled for easy identification.

SAMPLE SPECIFICATION

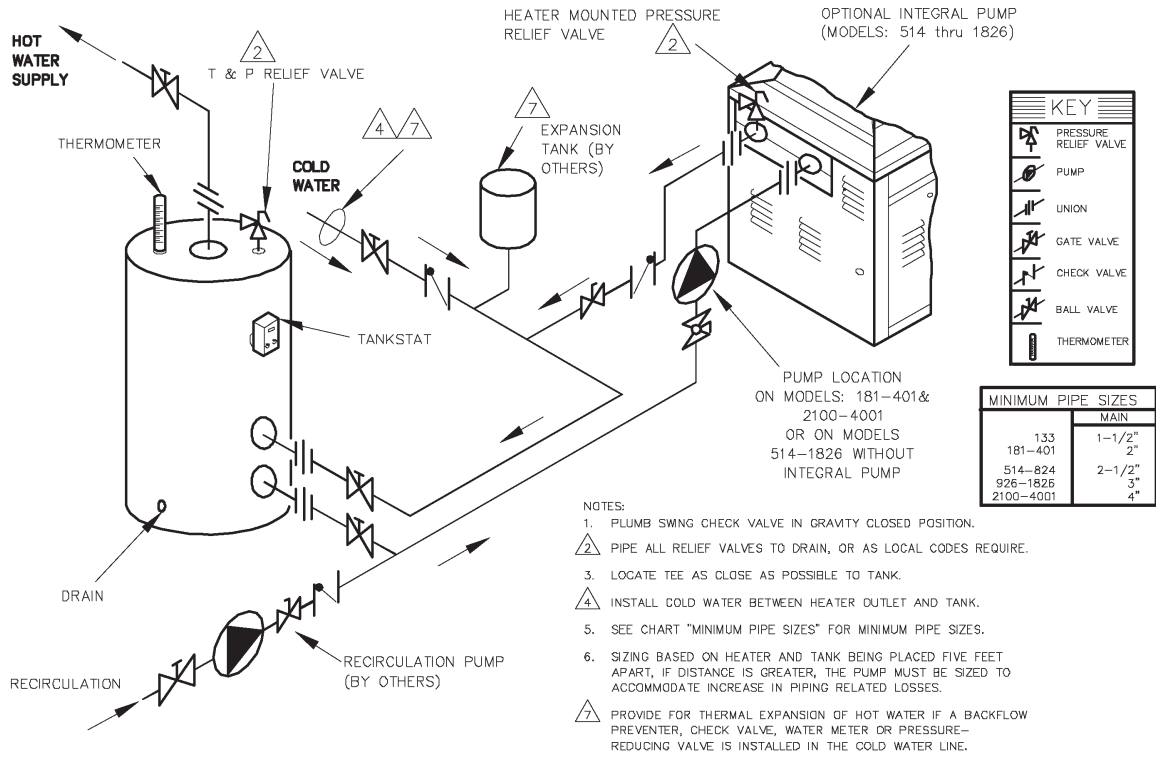
The hot water storage tank shall be a Raypak 175-gallon factory insulated and jacketed tank.

The tank shall have a double coating of a high temperature glass lining and be equipped with two (2) magnesium anode rods. The tank shall be ASME constructed and designed for 150 PSI working pressure and equipped with a handhole for cleaning and inspection.

The tank shall be insulated with rigid polyurethane foam that completely surrounds the tank and shall be enclosed in a baked enamel steel jacket. The tank insulation must be R-16 value and must meet or exceed ASHRAE standard 90.1. The tank shall be covered by a five (5) year limited warranty against corrosion.

Raypak®
A Rheem® Company

ASME CODE TANK (175 GALLONS)



GUARANTEED 80% DRAW WITHOUT TEMPERATURE DROP, USE RAYPAK HEATER, TANK, SIZING TABLE AND HOOK-UP DATA

PIPING: UNI-TEMP 80, 1 HEATER, 1 VERTICAL TANK, 1 TEMP

DRAWING 8054REV8

SPECIFICATIONS

